

IBU140 Block Upconverter in a 1 for 1 Redundant System using the RCU100

The Upconverter system consists of a fully integrated pair of L Band to Ku Band Upconverters with the RCU100 Redundancy control unit. The system is housed in 3 separate 1'U high 19 " rack mounted chassis. The IBU140 Block Upconverter units convert L Band signals to Ku Band while the RCU100 Redundancy control unit monitors the health of the converters and allows signal path control to be made.

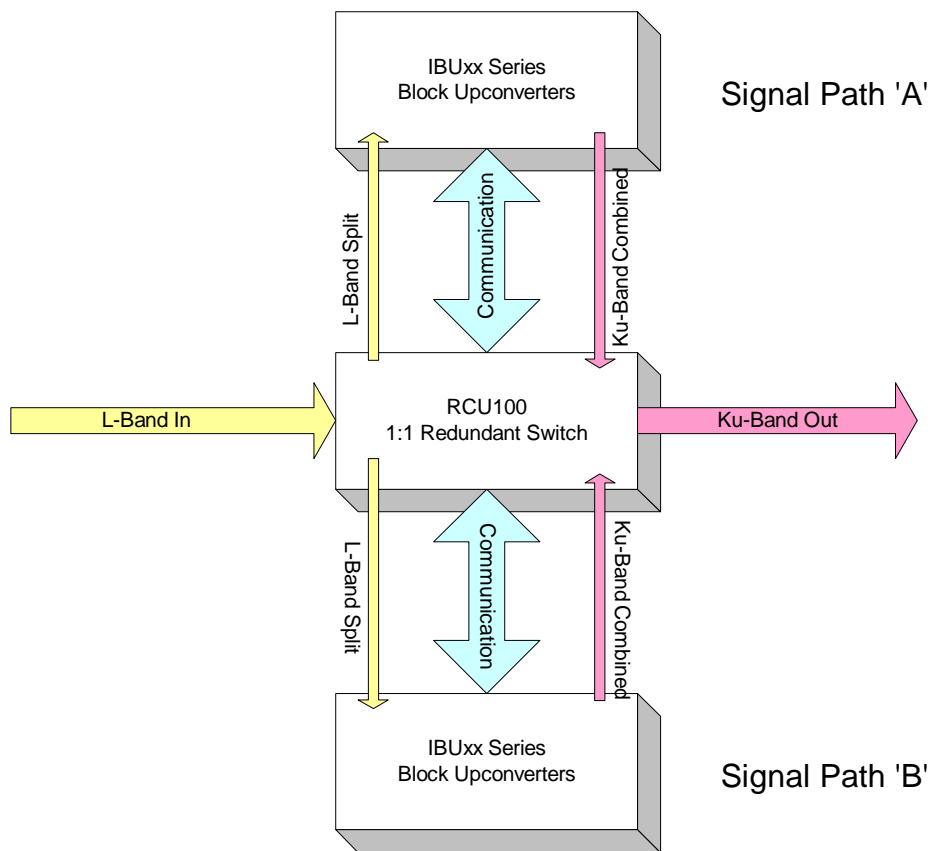


Fig.1 System Block Diagram

The IBU140 Ku Band Block Upconverter unit consists of a L to Ku Band Block Upconverter with a Local Oscillator locked to a high grade ovenised crystal to give excellent short and long term stability. This unit can be used with or without the RCU100 Redundancy control unit as a single thread Upconverter. The IBU140 is designed to show the status of the unit on the front panel and output this condition for external use.

The IBU140 Ku Band Block Upconverters and RCU100 Redundancy control units are housed in 19 inch 1'U' high chassis, suitable for rack mounting. They are 400 mm deep and may be fitted with rack slides if required.

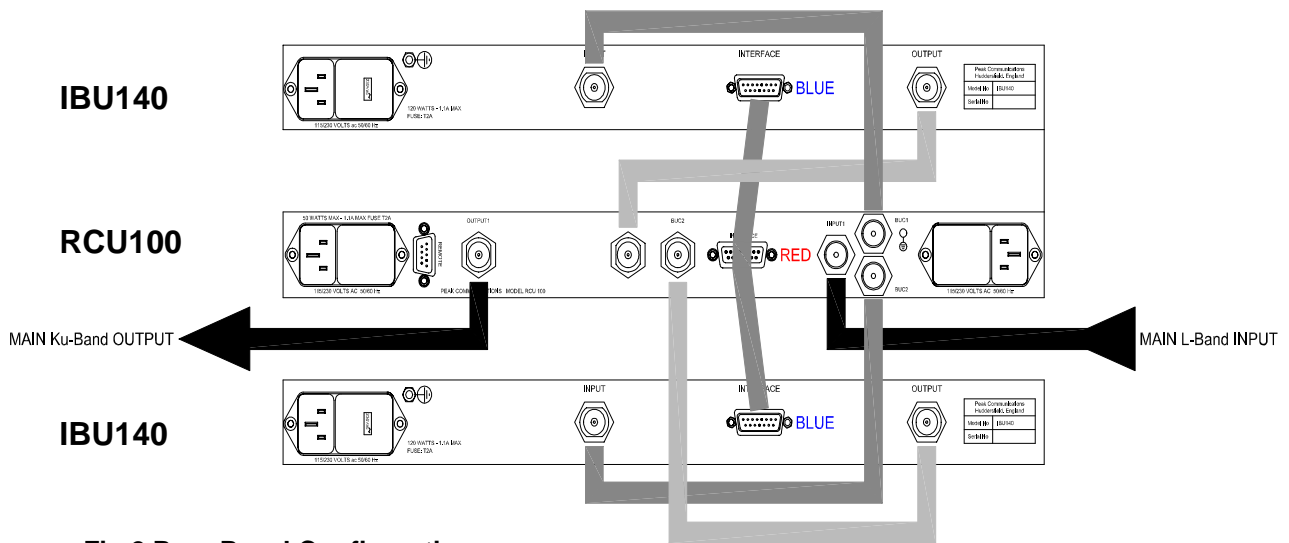


Fig.2 Rear Panel Configuration

The IBU140 Ku Band Upconverters/RCU100 Redundancy control system unit may be monitored and controlled remotely either via a RS485 multidrop bus. The connection is made via the 9 way D type on the rear of the RCU100.