

OSC Series

Remote Mounted Co-Axial & Waveguide Switch Control Units



The **OSC series** remote mounted control units provide a fully outdoor solution for driving external co-axial & waveguide switches in Satcom and other applications. Peak are happy to provide suitably weatherproofed new switches, or the units can drive & control existing 'legacy infrastructure' switches.






Single or dual switch controls are available with either independent or simultaneous actuation.

The **OSC series** units are designed for remote control via Ethernet, but are also offered with basic local controls. Remote control includes an embedded web-browser with SNMP network management support.

Peak can offer dedicated indoor rack mounted user interface units (Ethernet based), see **FPC100** and outdoor AC/DC power supply units, see **OPS series**.

The flexibility of the design allows for customization, so please consult the factory if the features that you require are not shown on this data sheet. Peak can supply external switches and cabling, for more details please consult the factory.

Peak Features

-  External waveguide or co-axial switch control
-  Comprehensive remote control, plus local manual controls and indicators
-  Minimises capex through reduced cross-site control and drive cable costs
-  Improves electromagnetic antenna isolation
-  Compatible with most makes of co-axial and waveguide switches



OSC Series Units – Typical Specification

Code S; single switch drive

Code D; dual switch drive, with independent or simultaneous* operation (user configurable)

*Note**: For simultaneous operation a small delay between S1 & S2 actuation can be expected, duration will depend upon switch type & rating (please consult factory for details).

External switch interface

Peak can supply switches etc. (please consult factory for details).

Switch Voltage	
Code 2;	+12VDC
Code 4;	+24VDC
Switch type	Pulsed, latching with indicators, positive or negative (user configurable)

Note: negative pulse versions can be configured for use without tell-back indicators.

Connection	Circular multi-pole, weatherproof (mating part supplied)
------------	--

Mechanical

Dimensions	290 x 230 x 95mm (11.4 x 9.1 x 3.7inch)
Construction	Die-cast Aluminium, weatherproof, IP66 rated
Weight	Approx. 4kgs (9lbs)

Environmental

Operating temp	-10°C to +50°C (less solar gain)
Option 13;	-40°C to +50°C (less solar gain)
Humidity	0-100% condensing
EMC	EN55022, part B & EN50082-1
Safety	EN60950

Power Supply (dual input)

Voltage

Note: Applied input Voltage must be within the switch voltage range (12 or 24V), allowing for any cable loss (please contact Peak for details or advice).

Code 2;	+12 to +18VDC
Code 4;	+24 to +27VDC

Power 20 Watts nom (option dependent)

Connection Multi-pin circular, weatherproof (mating part supplied)

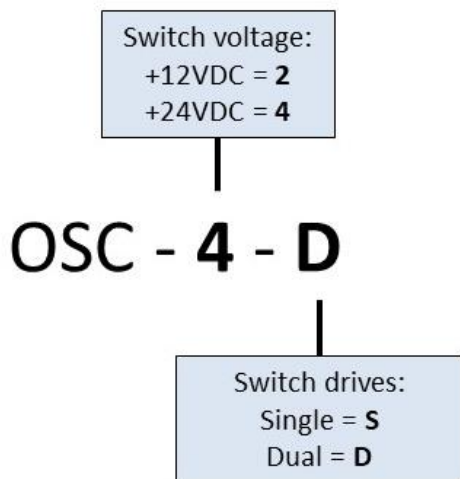
Control System

Alarms	LED indicator & summary failure relay (form C)
Connection	See power supply section
Local control	Weatherproof switches with indicators for local /remote and switch position selection
Remote control	Ethernet; embedded web server & SNMP network management support
Connection	RJ45, weatherproof (mating weatherproofing parts supplied)

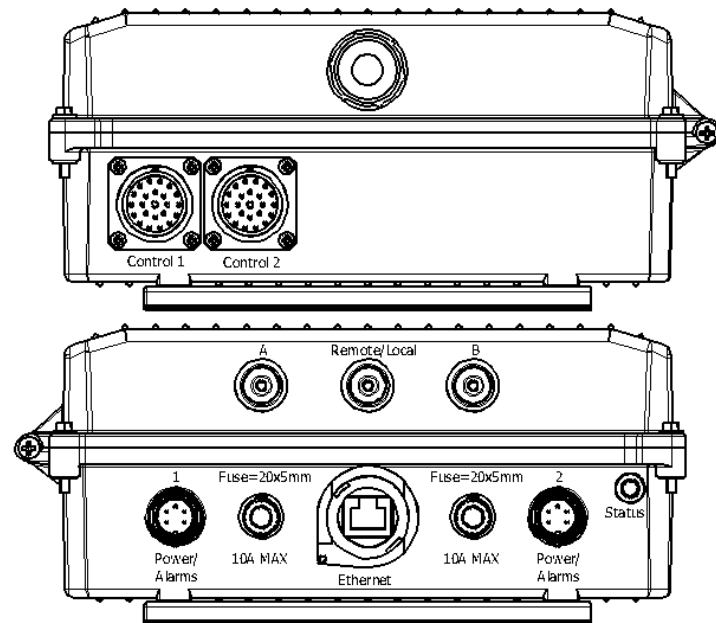
Options

- 1) Cable assembly (between OSC unit and external switch)
- 13) Low temperature operation to -40°C
- 16) Factory pre-set IP address

Ordering Code



Connection Panels (dual switch control unit shown)



Peak Communications reserves the right to alter the specifications of this equipment without prior notice. OSCseries-070322.

Peak Communications Ltd., Unit 1, The Woodvale Centre, Woodvale Road, Brighouse, West Yorkshire, HD6 4AB, U.K.

Tel; +44 (0)1484 714200 Sales; +44 (0)1484 714229 Fax; +44 (0)1484 723666 Email; sales@peakcom.co.uk Web; www.peakcom.co.uk